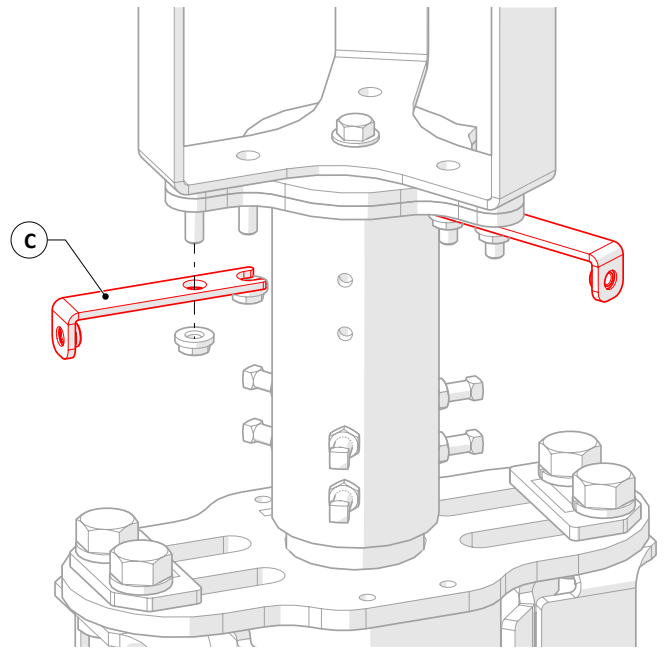
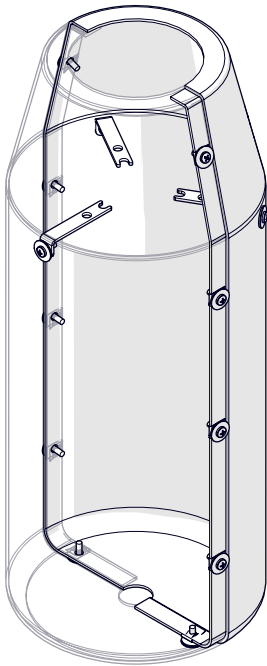


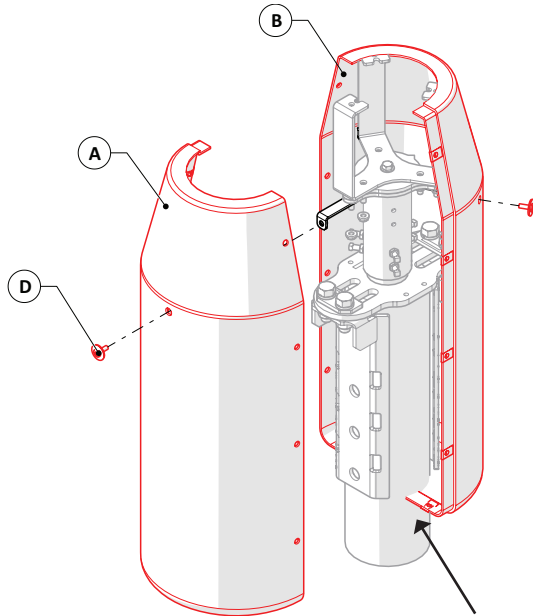
ITEM	QTY	DESCRIPTION	PART NO.	PKG'D
A	1	SHROUD HALF, SINGLE HOLE	101036	
B	1	SHROUD HALF, DOUBLE HOLE	101037	
C	3	SHROUD ARM	101070	
D	13	WASHER, SEALING, 1/4", 18-8 SS, 1" O.D., PHMS, 1/4"-20 X 3/4" LG, 18-8 SS	100345	
E	1	CORROSION RESISTANT ANTISEIZE, NICKEL, VIBRA-TITE, 90722	002954	

**Note:** Stainless steel hardware to have antiseize lubricant applied.



**Note:** Cantenna sleeve and mount supplied by others.

**Note:** Antenna hidden for clarity.



**Note:** Trim shroud to fit pole.

**Note:** Antenna supplied by others.

