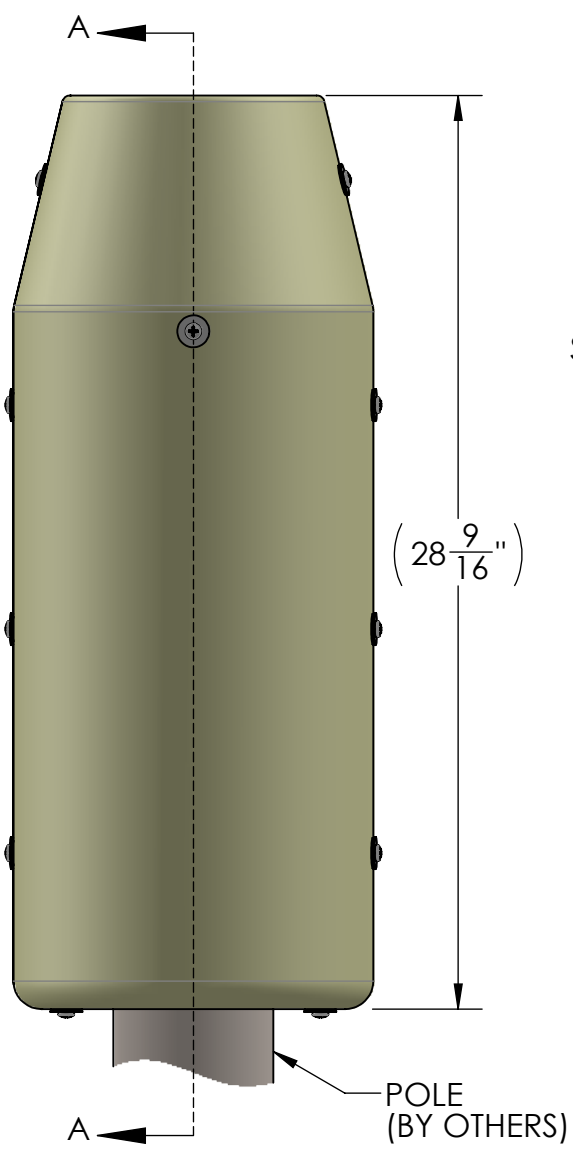
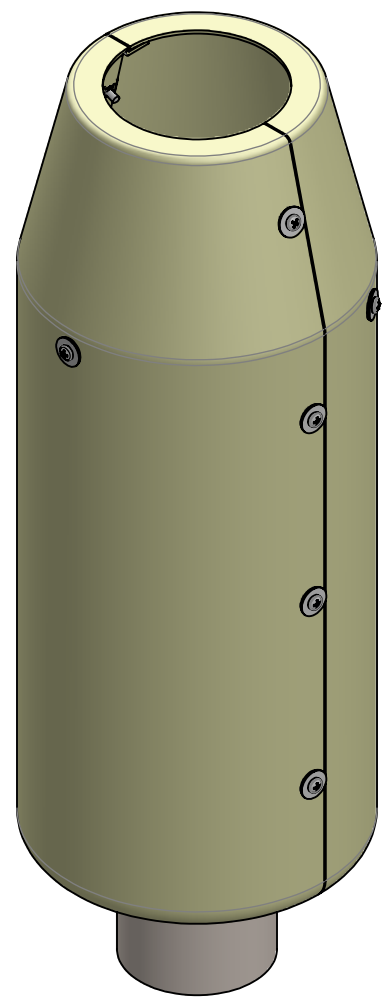
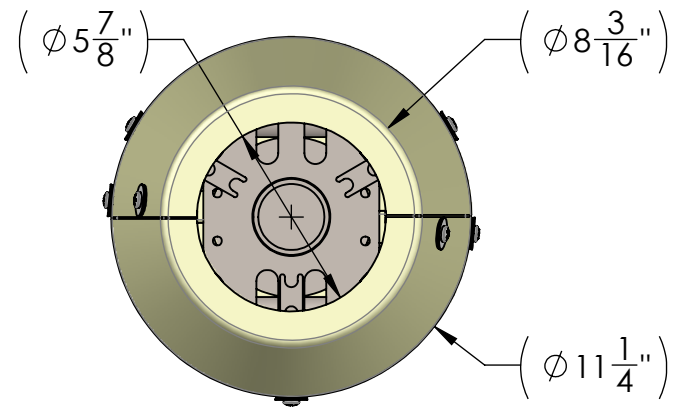


MECHANICAL OUTLINE



SMALL DIAMETER MOUNT (SOLD SEPARATELY)

CANTENNA SLEEVE (SOLD SEPARATELY)

TOP OF POLE

$(14 \frac{1}{2}'')$

SECTION A-A

FITS POLES $\phi 3\text{-}1/2''$ TO $\phi 5''$

PART NUMBER	COLOR
900092-1	BLACK
900092-2	BROWN
900092-3	GRAY
900092-4	SILVER



10205 FEDERAL DRIVE
 COLORADO SPRINGS, CO 80908
 PH: 719-599-3400 FX: 719-599-0057
 SALES@CONCEALFAB.COM

PROPRIETARY INFORMATION
 USE, REPRODUCTION, OR DISCLOSURE IS SUBJECT TO RESTRICTIONS SET FORTH IN NON-DISCLOSURE AGREEMENTS AND PERTINENT CONTRACTUAL DOCUMENTS.
 © 2017 ConcealFab Corp - All Rights Reserved

DO NOT SCALE DWG

DIMENSIONS ARE IN INCHES

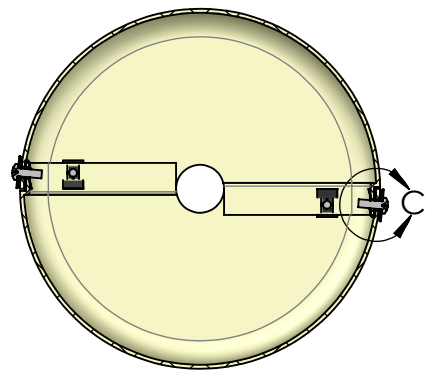
	NAME:	DATE:
MODELED BY:	ALB	08/23/19
DRAWN BY:	ALB	08/23/19
CHECKED BY:	JAM	09/03/19

TITLE: CABLE SHROUD, SMALL DIAMETER MOUNT, GALTRONICS & RODENBERGER, 10"

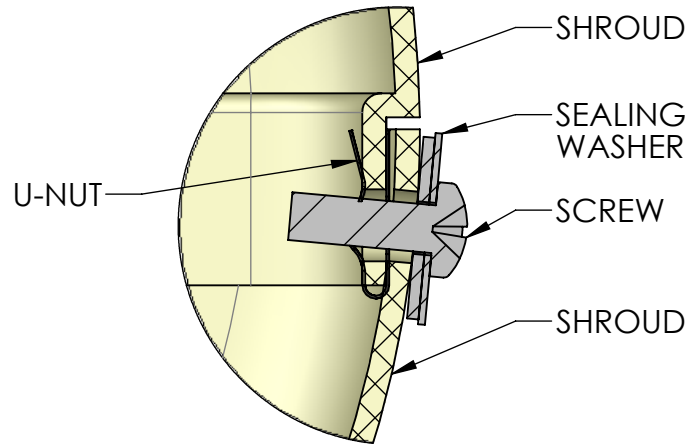
SCALE: 1:6 SHEET SIZE: B SHEET: 1 OF 2

SALES NUMBER: **900092-F**

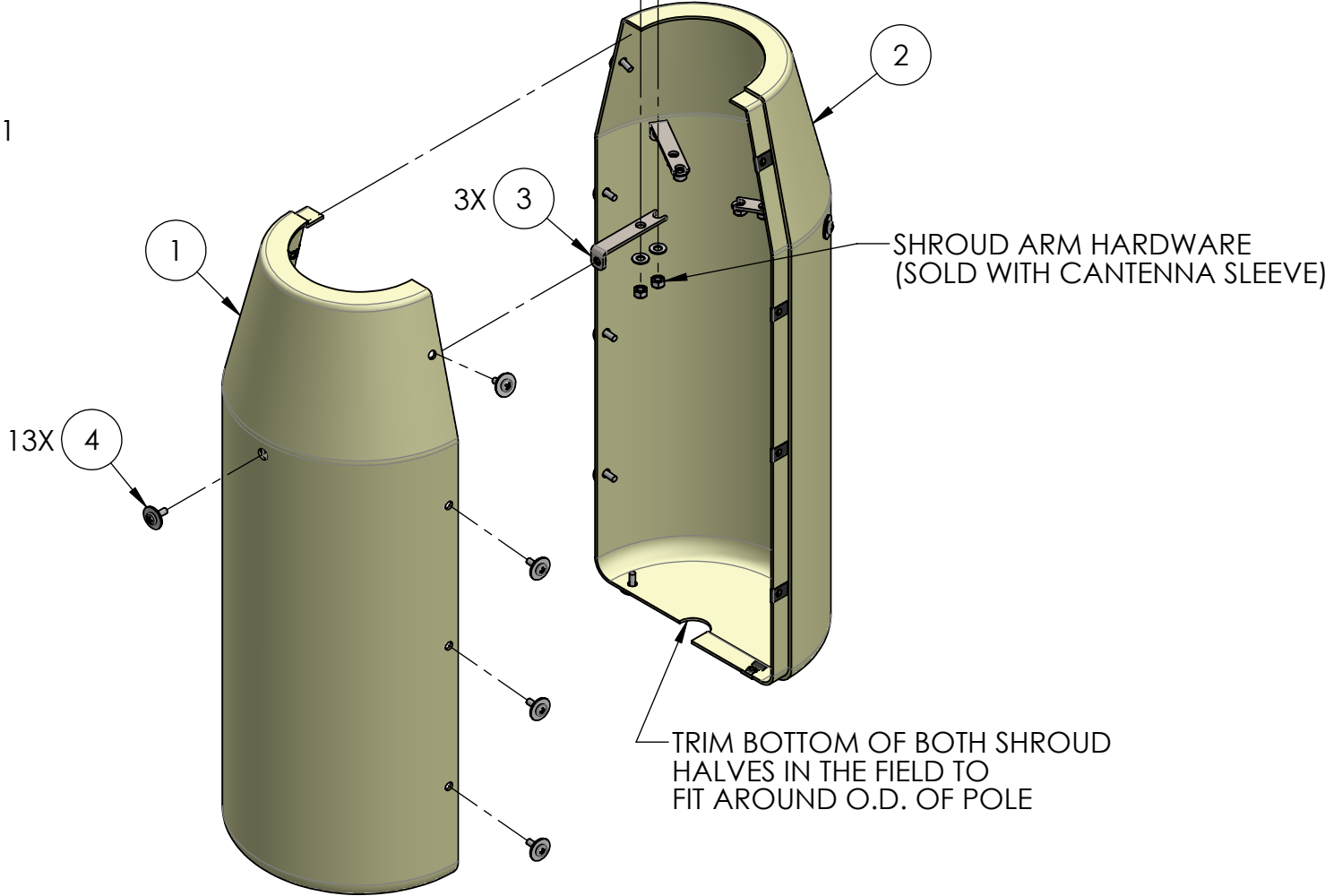
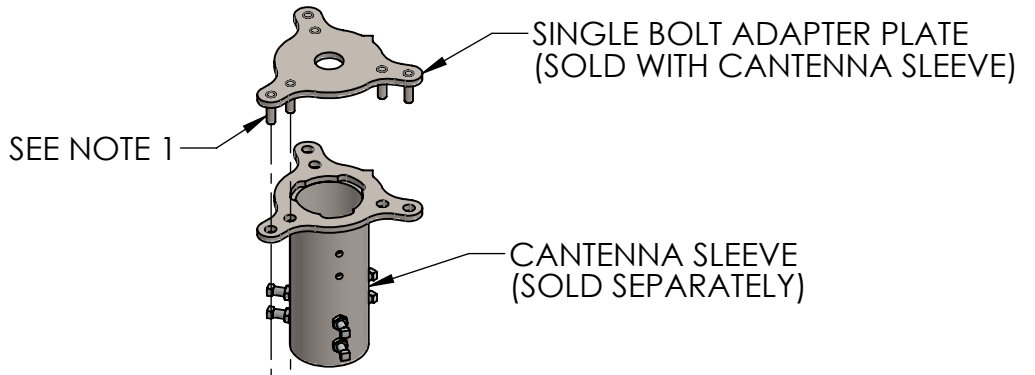
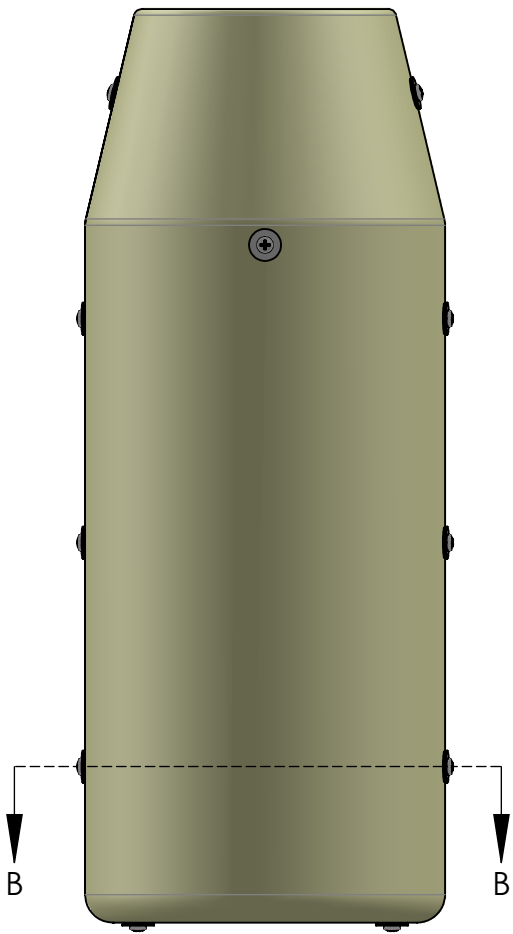
APPROXIMATE WEIGHT	6.06 LBS
--------------------	----------



SECTION B-B



DETAIL C
SCALE 1 : 1



NOTES:

1. STAINLESS STEEL HARDWARE SHALL HAVE ANTISEIZE LUBRICANT APPLIED BEFORE ASSEMBLY.

ITEM NO.	QTY.	DESCRIPTION
1	1	ASSY, SHROUD HALF, SINGLE HOLE
2	1	ASSY, SHROUD HALF, DOUBLE HOLE
3	3	PEM ASSY, SHROUD ARM
5	13	ASSY, WASHER, SEALING, 1/4", 18-8 SS, 1" O.D., PHMS, 1/4"-20 X 3/4" LG, 18-8 SS

ConcealFab
Corporation

10205 FEDERAL DRIVE
COLORADO SPRINGS, CO 80908
PH: 719-599-3400 FX: 719-599-0057
SALES@CONCEALFAB.COM

PROPRIETARY INFORMATION
USE, REPRODUCTION, OR DISCLOSURE IS SUBJECT TO RESTRICTIONS SET FORTH IN NON-DISCLOSURE AGREEMENTS AND PERTINENT CONTRACTUAL DOCUMENTS.
© 2017 ConcealFab Corp - All Rights Reserved

DO NOT SCALE DWG

DIMENSIONS ARE IN INCHES

MODELED BY:	ALB	08/23/19
DRAWN BY:	ALB	08/23/19
CHECKED BY:	JAM	09/03/19

TITLE: CABLE SHROUD, SMALL DIAMETER MOUNT, GALTRONICS & RODENBERGER, 10"

SCALE: 1:6 SHEET SIZE: B SHEET: 2 OF 2

SALES NUMBER: 900092-F