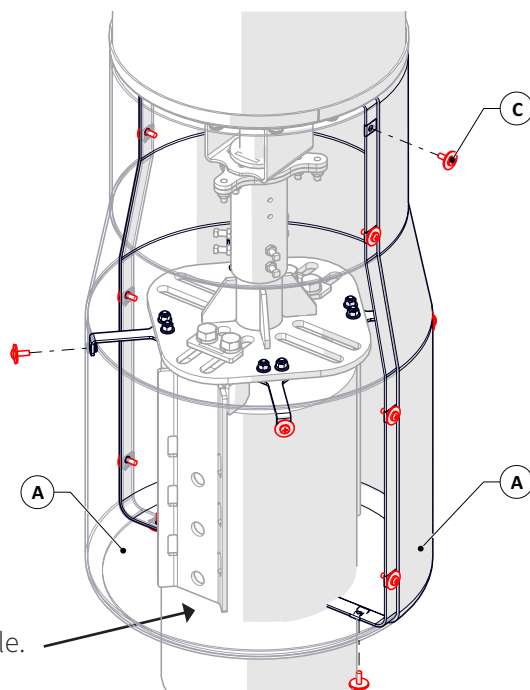
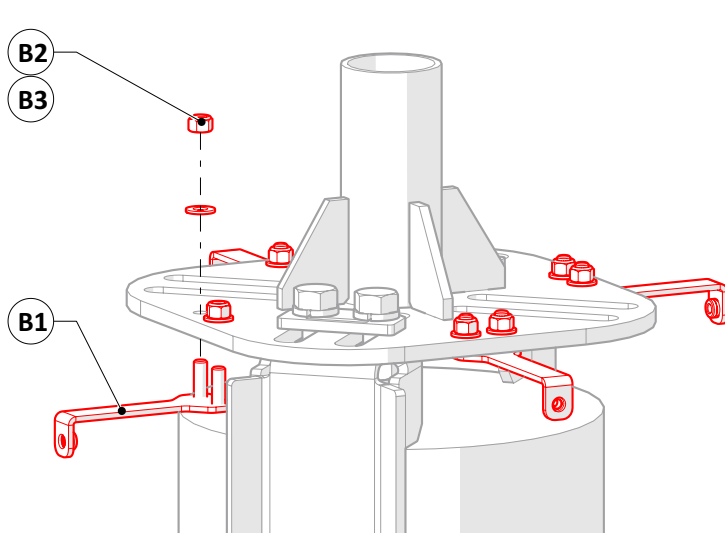
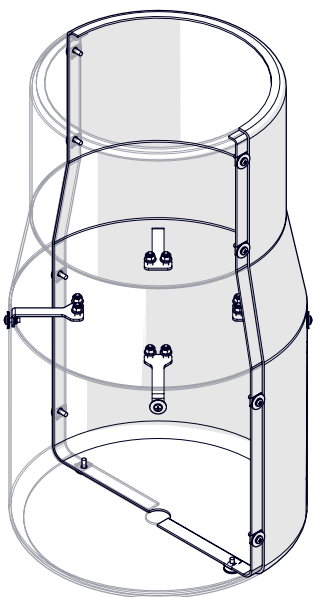


ITEM	QTY	DESCRIPTION	PART NO.	PKG'D
A	2	SHROUD HALF, DOUBLE HOLE	109858	
B	1	KIT, WIDE DIAMETER SHROUD BRACKETS AND HARDWARE	114315	
B1	4	SHROUD BRACKET	108740	
B2	8	NUT, NYLOCK, 5/16"-18, 18-8 SS	002765	
B3	8	WASHER, FLAT, 5/16", 18-8 SS	002507	
C	14	WASHER, SEALING, 1/4", 18-8 SS, 1" O.D., PHMS, 1/4"-20 X 3/4" LG, 18-8 SS	100345	
D	1	CORROSION RESISTANT ANTISEIZE, NICKEL, VIBRA-TITE, 90722	002954	

Note: Stainless steel hardware to have antiseize lubricant applied.



Note: Sleeve and antenna supplied by others.

Note: Trim shroud to fit pole.