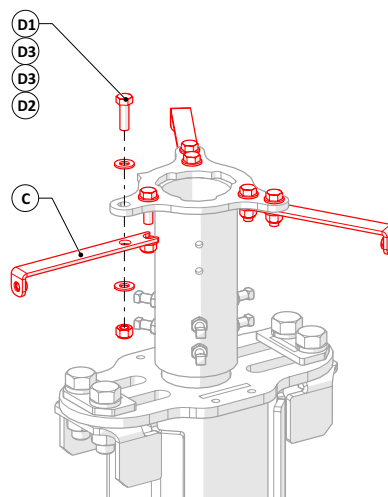
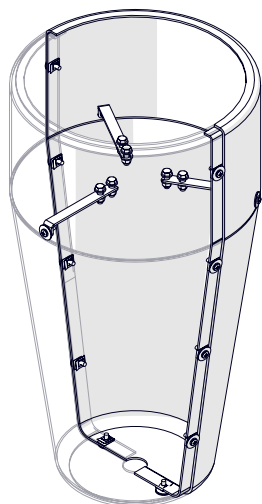
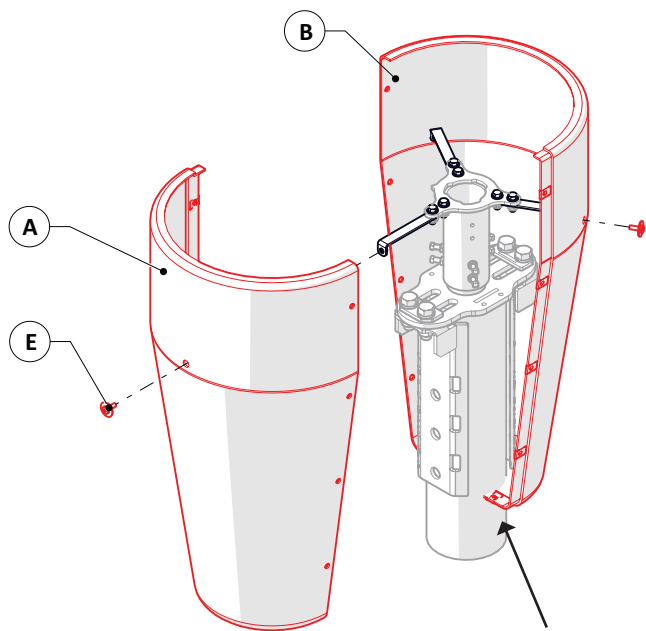


ITEM	QTY	DESCRIPTION	PART NO.	PKG'D
A	1	SHROUD HALF, SINGLE HOLE	103267	
B	1	SHROUD HALF, DOUBLE HOLE	103269	
C	3	SHROUD ARM	102142	
D	1	KIT, SHROUD ARM MOUNTING HARDWARE	113921	
D1	6	HHCS, 5/16"-18 X 1" LG, FT, 18-8 SS	002506	
D2	6	NUT, NYLOCK, 5/16"-18, 18-8 SS	002765	
D3	12	WASHER, FLAT, 5/16", 18-8 SS	002507	
E	13	WASHER, SEALING, 1/4", 18-8 SS, 1" O.D., PHMS, 1/4"-20 X 3/4" LG, 18-8 SS	100345	
F	1	CORROSION RESISTANT ANTISEIZE, NICKEL, VIBRA-TITE, 90722	002954	

Note: Stainless steel hardware to have antiseize lubricant applied.



Note: Cantenna sleeve sold separately.



Note: Trim shroud to fit pole.

