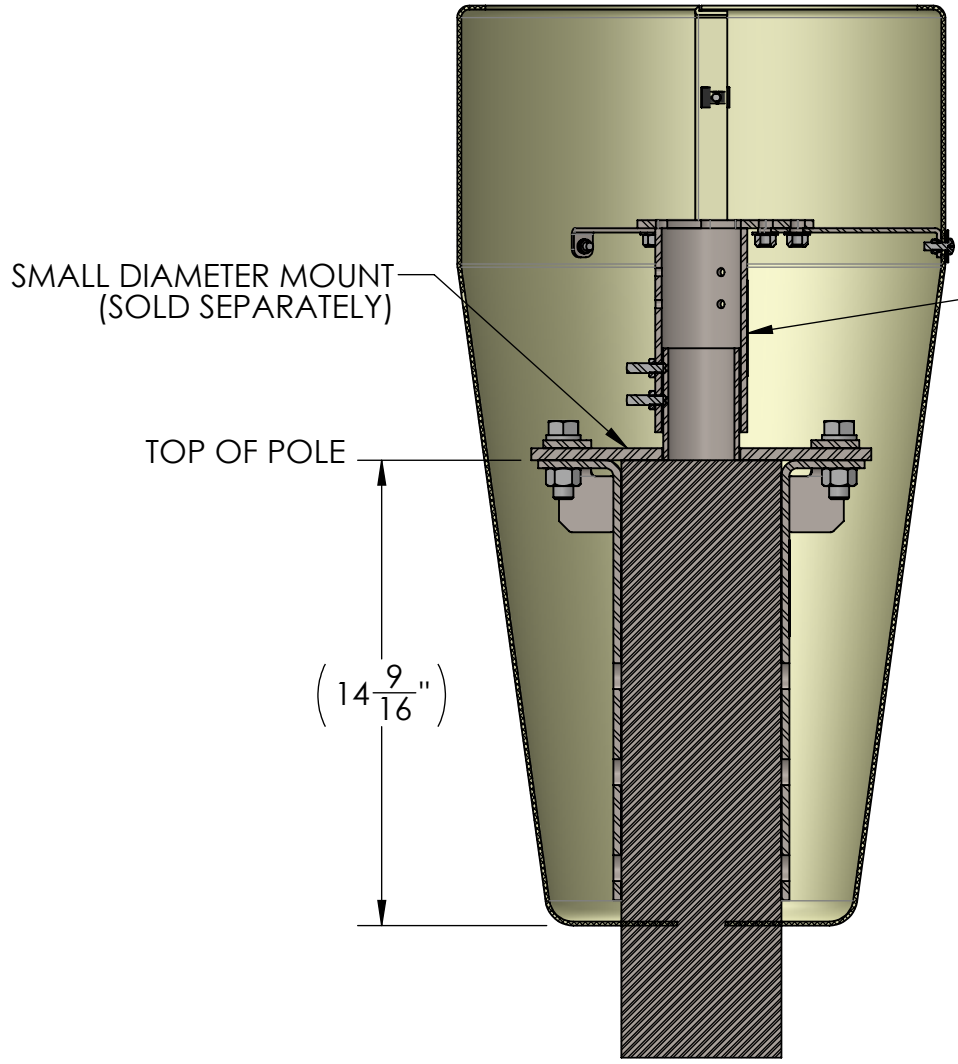
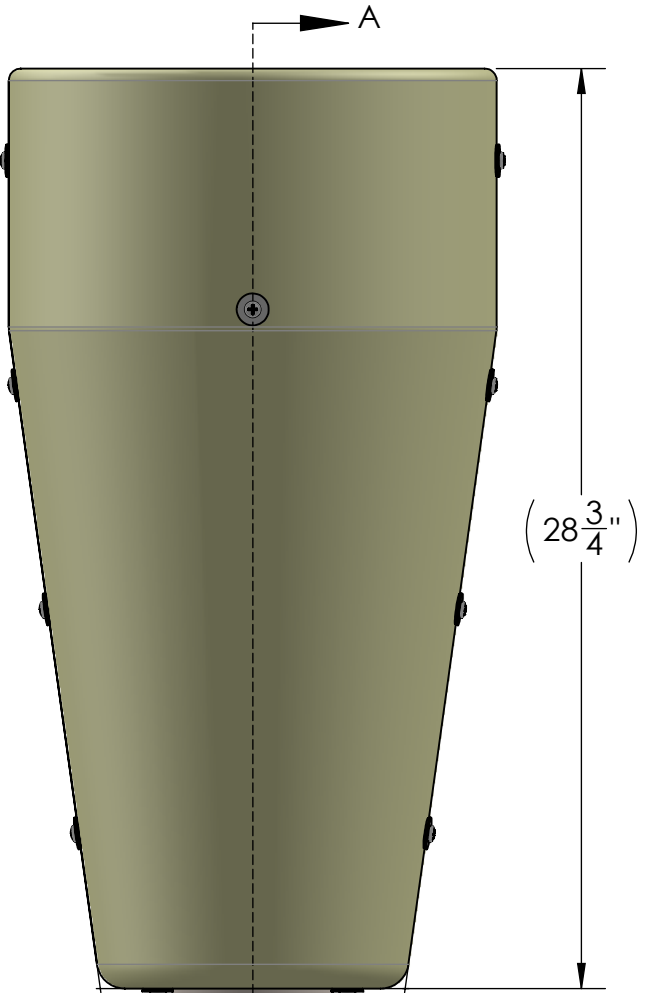
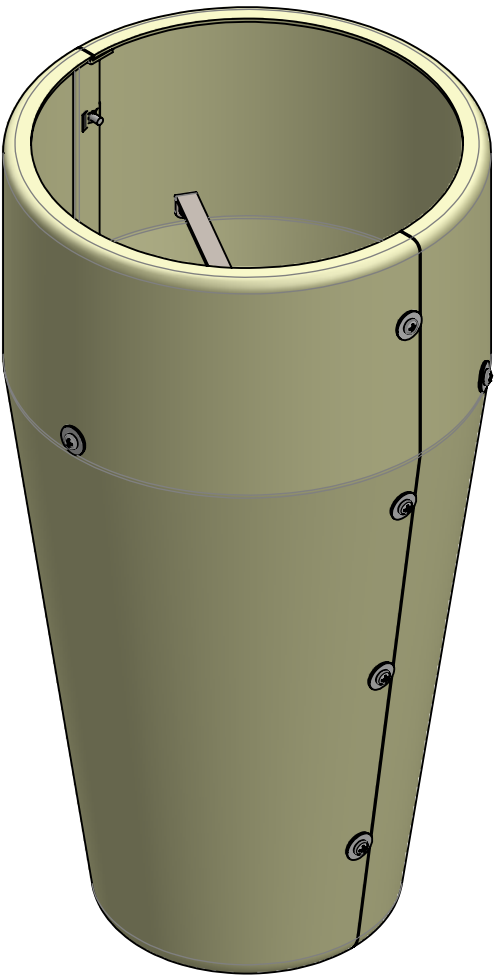
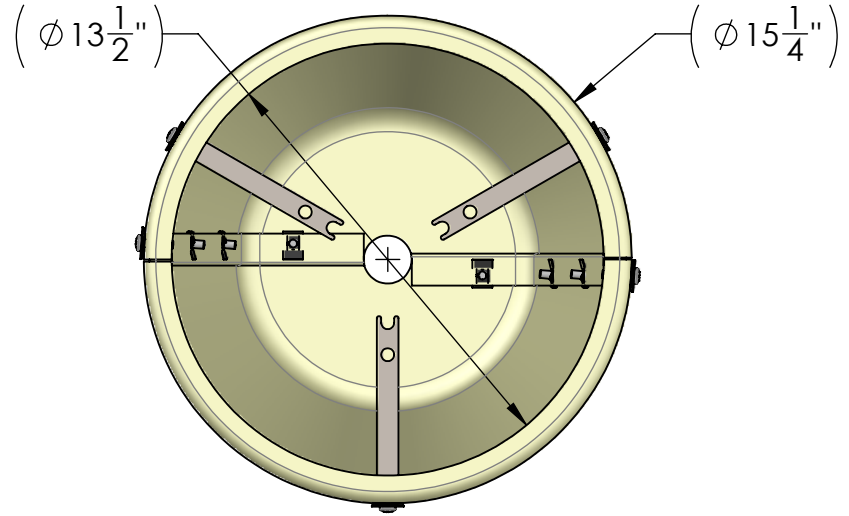


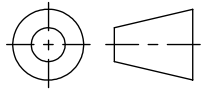
**MECHANICAL OUTLINE**



10205 FEDERAL DRIVE  
 COLORADO SPRINGS, CO 80908  
 PH: 719-599-3400 FX: 719-599-0057  
 SALES@CONCEALFAB.COM

**PROPRIETARY INFORMATION**  
 USE, REPRODUCTION, OR DISCLOSURE  
 IS SUBJECT TO RESTRICTIONS SET FORTH  
 IN NON-DISCLOSURE AGREEMENTS AND  
 PERTINENT CONTRACTUAL DOCUMENTS.  
 © 2017 ConcealFab Corp - All Rights Reserved

**DO NOT**  
 SCALE DWG



DIMENSIONS ARE IN INCHES

	NAME:	DATE:
MODELED BY:	ALB	08/26/19
DRAWN BY:	ALB	08/26/19
CHECKED BY:	JAM	09/03/19

PART NUMBER	COLOR
900086-1	BLACK
900086-2	BROWN
900086-3	GRAY
900086-4	SILVER

TITLE:  
 CABLE CONCEALMENT  
 SHROUD, SMALL  
 DIAMETER MOUNT, ACE  
 15", GAMMA NU 12 PORT

SCALE: 1:6 SHEET SIZE: B SHEET: 1 OF 3

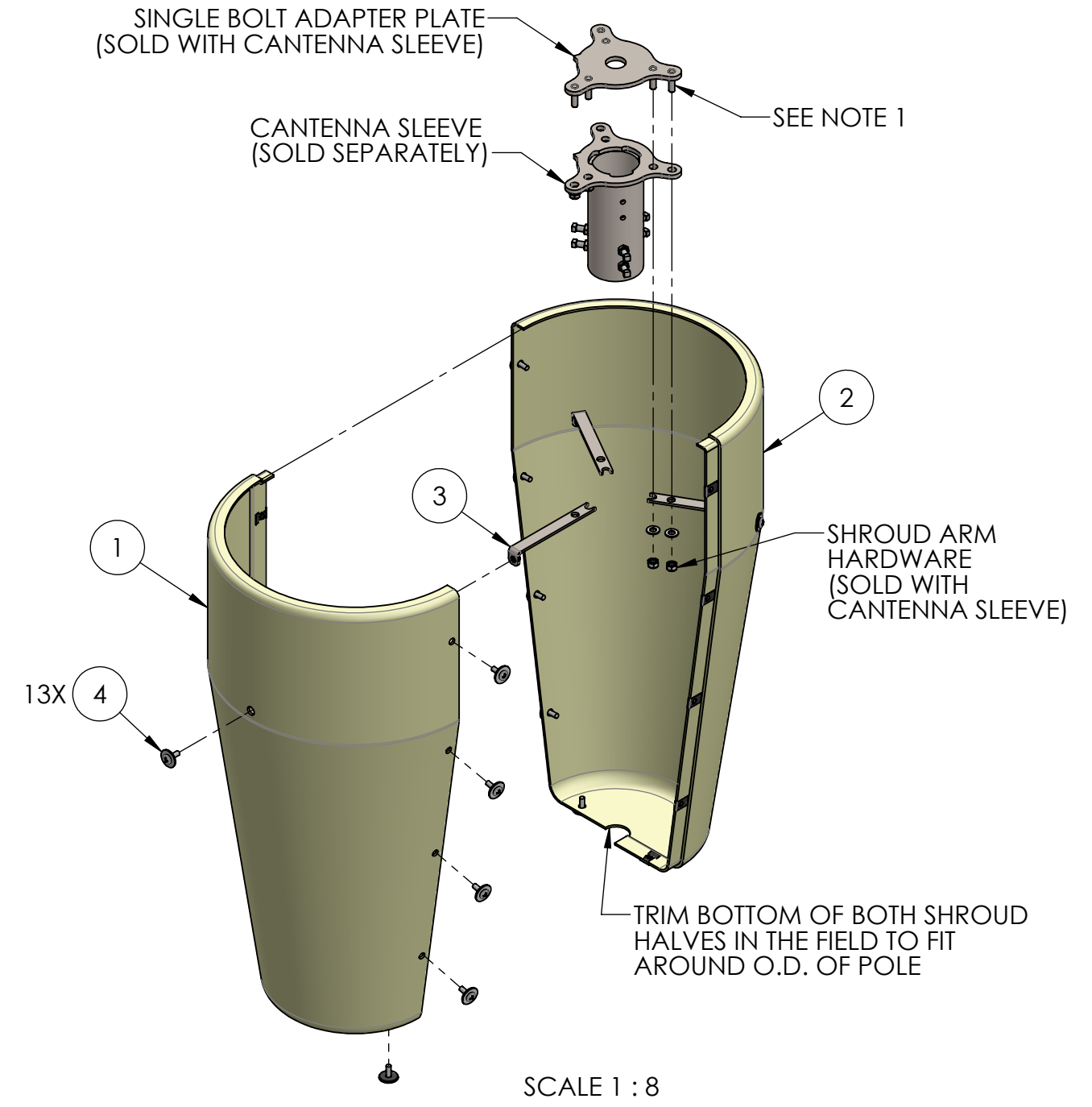
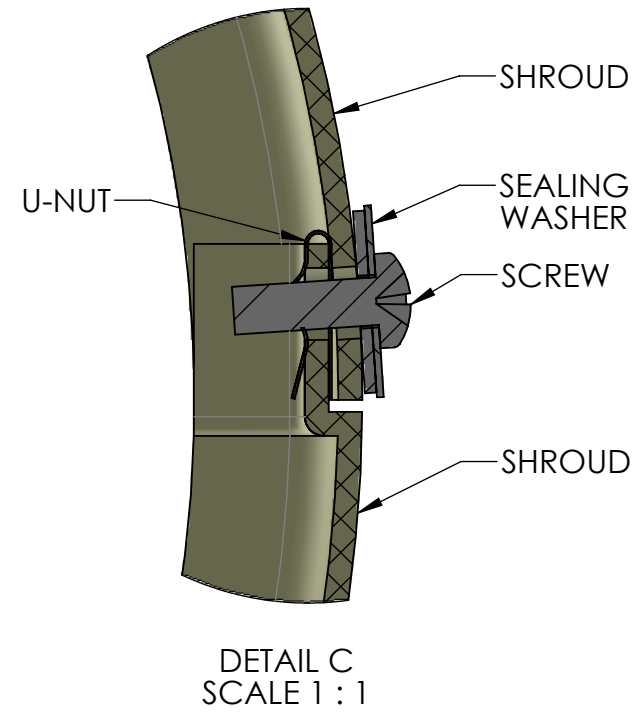
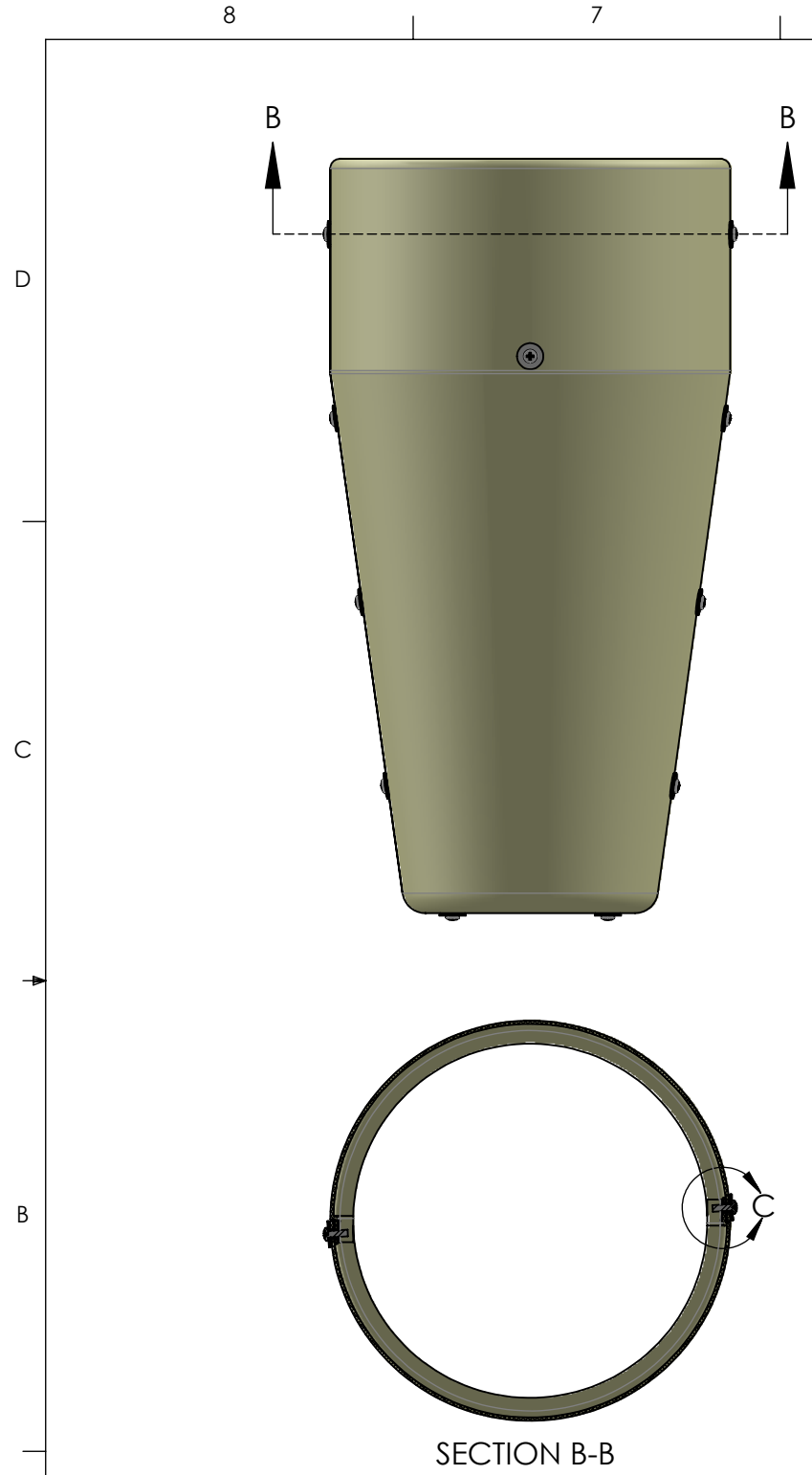
SALES NUMBER:  
**900086-F**

APPROXIMATE WEIGHT	7.50 LBS
--------------------	----------

FITS POLES Ø3-1/2" TO Ø5"

POLE  
 (BY OTHERS)

**CUSTOMER ASSEMBLY GUIDE  
ACE 15"**



NOTES:  
1. STAINLESS STEEL HARDWARE SHALL HAVE ANTISEIZE LUBRICANT APPLIED BEFORE ASSEMBLY.

ITEM NO.	QTY.	DESCRIPTION
1	1	ASSY, SHROUD HALF, SINGLE HOLE
2	1	ASSY, SHROUD HALF, DOUBLE HOLE
3	3	PEM ASSY, SHROUD ARM
4	13	ASSY, WASHER, SEALING, 1/4", 18-8 SS, 1" O.D., PHMS, 1/4"-20 X 3/4" LG, 18-8 SS

**ConcealFab**  
Corporation

10205 FEDERAL DRIVE  
COLORADO SPRINGS, CO 80908  
PH: 719-599-3400 FX: 719-599-0057  
SALES@CONCEALFAB.COM

**PROPRIETARY INFORMATION**  
USE, REPRODUCTION, OR DISCLOSURE IS SUBJECT TO RESTRICTIONS SET FORTH IN NON-DISCLOSURE AGREEMENTS AND PERTINENT CONTRACTUAL DOCUMENTS.  
© 2017 ConcealFab Corp - All Rights Reserved

**DO NOT SCALE DWG**

DIMENSIONS ARE IN INCHES

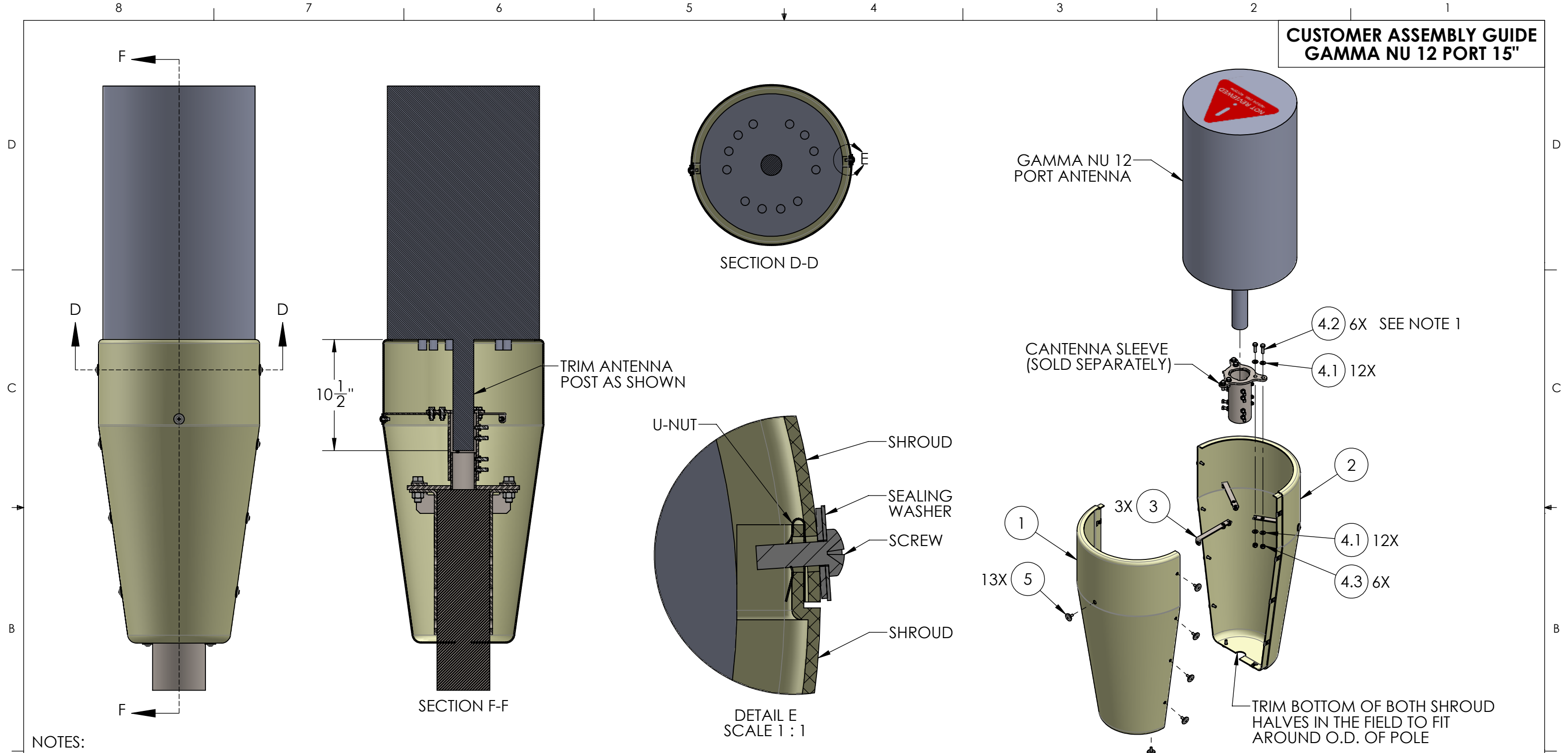
MODELED BY:	ALB	08/26/19
DRAWN BY:	ALB	08/26/19
CHECKED BY:	JAM	09/03/19

TITLE: CABLE CONCEALMENT SHROUD, SMALL DIAMETER MOUNT, ACE 15", GAMMA NU 12 PORT

SCALE:	SHEET SIZE:	SHEET:
1:7	B	2 OF 3

SALES NUMBER:  
**900086-F**

**CUSTOMER ASSEMBLY GUIDE  
GAMMA NU 12 PORT 15"**



- NOTES:
1. STAINLESS STEEL HARDWARE SHALL HAVE ANTISEIZE LUBRICANT APPLIED BEFORE ASSEMBLY.

ITEM NO.	QTY.	DESCRIPTION
1	1	ASSY, SHROUD HALF, SINGLE HOLE
2	1	ASSY, SHROUD HALF, DOUBLE HOLE
3	3	PEM ASSY, SHROUD ARM
4	1	KIT, SHROUD ARM MOUNTING HARDWARE
4.1	12	WASHER, FLAT, 5/16", 18-8 SS
4.2	6	HHCS, 5/16"-18 X 1" LG, 18-8 SS
4.3	6	NUT, NYLOCK, 5/16"-18, 18-8 SS
5	13	ASSY, WASHER, SEALING, 1/4", 18-8 SS, 1" O.D., PHMS, 1/4"-20 X 3/4" LG, 18-8 SS

 10205 FEDERAL DRIVE COLORADO SPRINGS, CO 80908 PH: 719-599-3400 FX: 719-599-0057 SALES@CONCEALFAB.COM	<b>DO NOT SCALE DWG</b>		TITLE: CABLE CONCEALMENT SHROUD, SMALL DIAMETER MOUNT, ACE 15", GAMMA NU 12 PORT
	DIMENSIONS ARE IN INCHES		SCALE: 1:9    SHEET SIZE: B    SHEET: 3 OF 3
<b>PROPRIETARY INFORMATION</b> USE, REPRODUCTION, OR DISCLOSURE IS SUBJECT TO RESTRICTIONS SET FORTH IN NON-DISCLOSURE AGREEMENTS AND PERTINENT CONTRACTUAL DOCUMENTS. © 2017 ConcealFab Corp - All Rights Reserved	NAME: ALB    DATE: 08/26/19	MODELED BY: ALB    08/26/19	SALES NUMBER: <b>900086-F</b>
DRAWN BY: ALB    08/26/19	CHECKED BY: JAM    09/03/19		