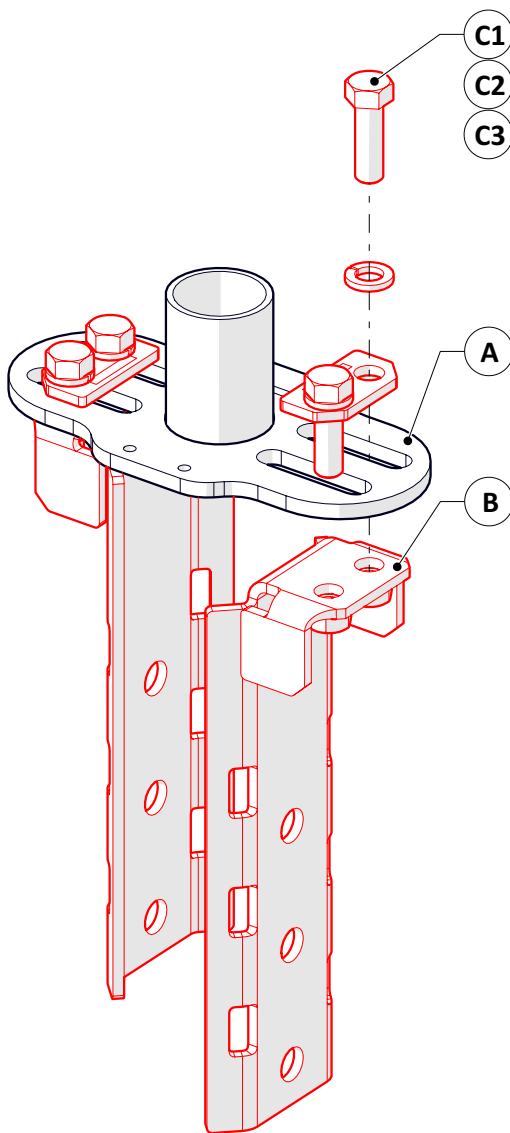
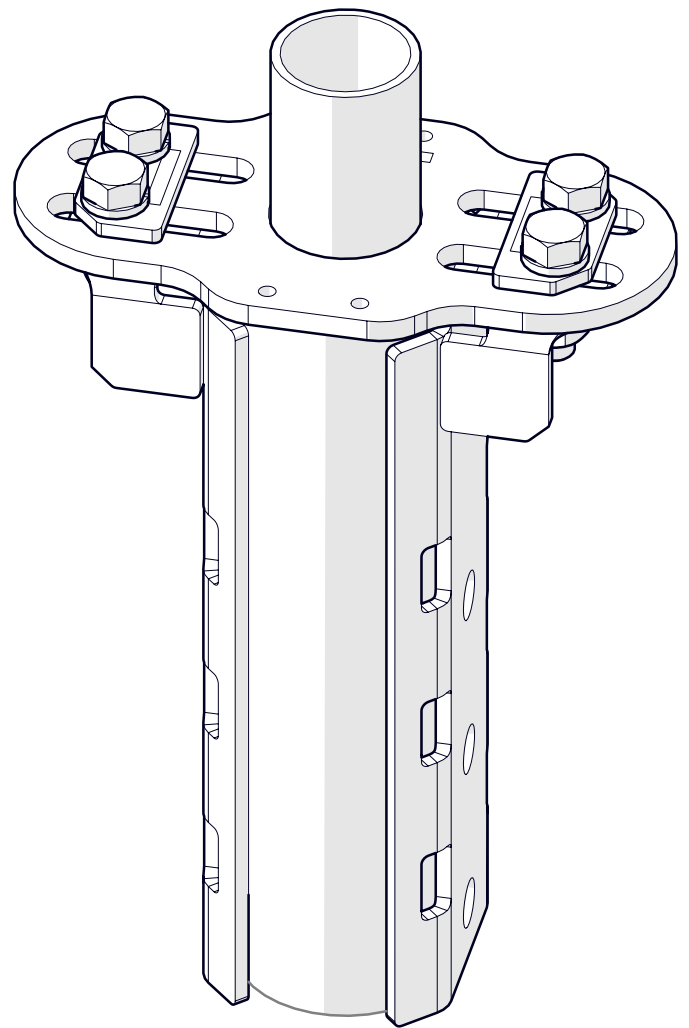


ITEM	QTY	DESCRIPTION	PART NO.	PKG'D
A	1	UPPER BRACKET	101051	
B	2	LEG, POLE TOP, SHORT, SS	101625	
C	2	KIT, MOUNT LEG HARDWARE	113919	
C1	2	HHBT, 5/8"-11 X 2" LG, FT, 18-8 SS	011011	
C2	1	WASHER PLATE	009867	
C3	2	WASHER, SPLIT LOCK, 5/8", 18-8 SS	002680	
D	1	CORROSION RESISTANT ANTISEIZE, NICKEL, VIBRA-TITE, 90722	002954	

Note: Stainless steel hardware to have antiseize lubricant applied before assembly.



Note: Loosely attach hardware.



Note: Attach with 3X 3/4" Lag/Tie Bolts or 3X 1" Wide Band Straps (supplied by others). Fits poles Ø3-1/2" to Ø5". Tighten hardware.