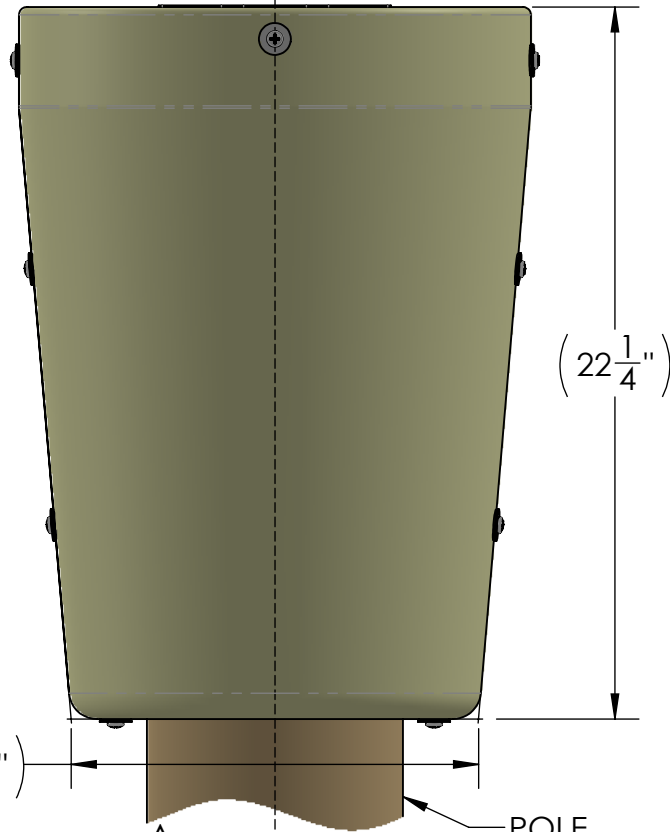
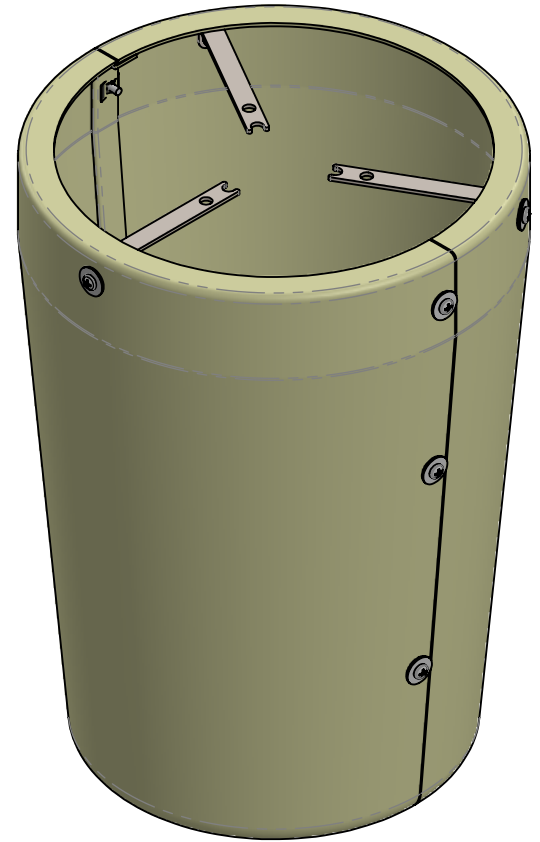
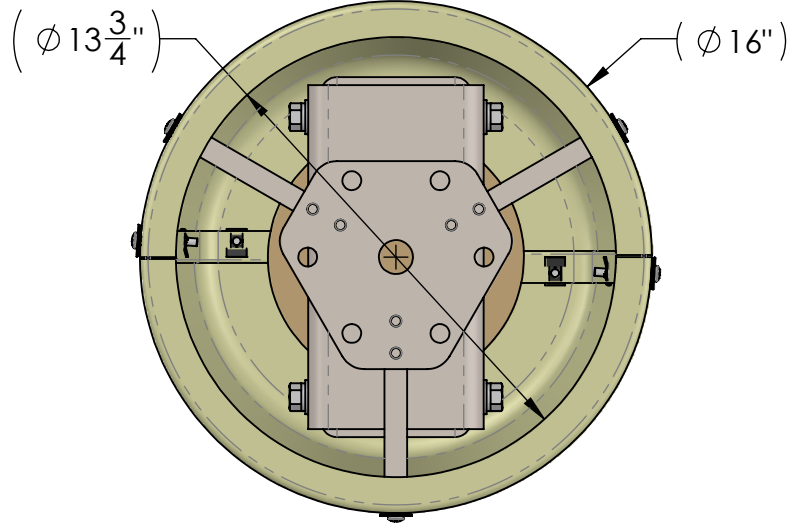
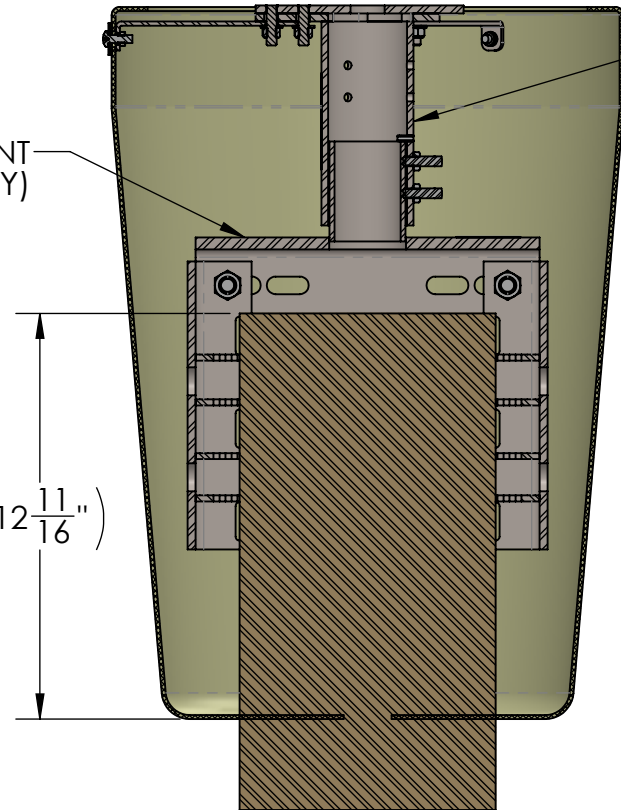


**MECHANICAL OUTLINE**



STANDARD DIAMETER MOUNT  
(SOLD SEPARATELY)



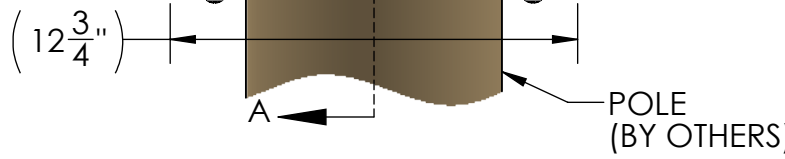
CANTENNA SLEEVE  
(SOLD SEPARATELY)

TOP OF POLE

(12 11/16")

SECTION A-A

PART NUMBER	COLOR
900002-1	BLACK
900002-2	BROWN
900002-3	GRAY
900002-4	SILVER



POLE  
(BY OTHERS)

FITS POLES Ø 5" TO Ø 8-3/8"

**ConcealFab**  
Corporation

10205 FEDERAL DRIVE  
COLORADO SPRINGS, CO 80908  
PH: 719-599-3400 FX: 719-599-0057  
SALES@CONCEALFAB.COM

**PROPRIETARY INFORMATION**  
USE, REPRODUCTION, OR DISCLOSURE  
IS SUBJECT TO RESTRICTIONS SET FORTH  
IN NON-DISCLOSURE AGREEMENTS AND  
PERTINENT CONTRACTUAL DOCUMENTS.  
© 2017 ConcealFab Corp - All Rights Reserved

**DO NOT SCALE DWG**

DIMENSIONS ARE IN INCHES

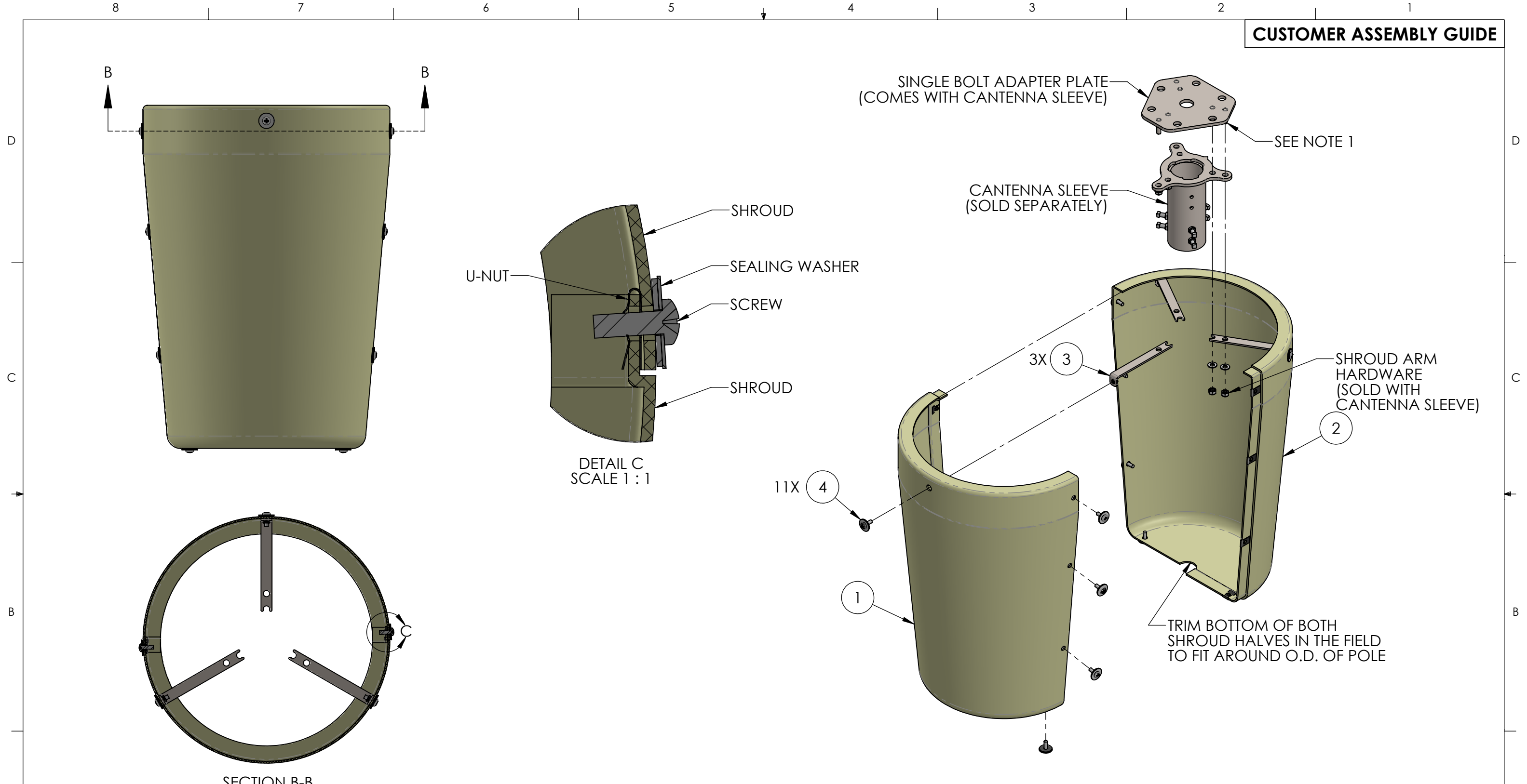
MODELED BY:	ALB	DATE:	08/22/19
DRAWN BY:	ALB	DATE:	08/22/19
CHECKED BY:	JAM	DATE:	09/03/19

TITLE:  
CABLE SHROUD,  
STANDARD DIAMETER  
MOUNT, KMW 16", HD

SCALE:	SHEET SIZE:	SHEET:
1:6	B	1 OF 2

SALES NUMBER:  
**900002-F**

APPROXIMATE WEIGHT	6.56 LBS
--------------------	----------



NOTES:  
 1. STAINLESS STEEL HARDWARE TO HAVE ANTISEIZE LUBRICANT APPLIED BEFORE ASSEMBLY.

ITEM NO.	QTY.	DESCRIPTION
1	1	ASSY, STANDARD SHROUD HALF, SINGLE HOLE
2	1	ASSY, STANDARD SHROUD HALF, DOUBLE HOLE
3	3	PEM ASSY, SHROUD ARM
4	11	ASSY, WASHER, SEALING, 1/4", 18-8 SS, 1" O.D., PHMS, 1/4"-20 X 3/4" LG, 18-8 SS

**ConcealFab**  
 Corporation  
 10205 FEDERAL DRIVE  
 COLORADO SPRINGS, CO 80908  
 PH: 719-599-3400 FX: 719-599-0057  
 SALES@CONCEALFAB.COM

**PROPRIETARY INFORMATION**  
 USE, REPRODUCTION, OR DISCLOSURE IS SUBJECT TO RESTRICTIONS SET FORTH IN NON-DISCLOSURE AGREEMENTS AND PERTINENT CONTRACTUAL DOCUMENTS.  
 © 2017 ConcealFab Corp - All Rights Reserved

**DO NOT SCALE DWG**

DIMENSIONS ARE IN INCHES

MODELED BY:	ALB	DATE:	08/22/19
DRAWN BY:	ALB	DATE:	08/22/19
CHECKED BY:	JAM	DATE:	09/03/19

TITLE: CABLE SHROUD, STANDARD DIAMETER MOUNT, KMW 16", HD

SCALE:	SHEET SIZE:	SHEET:
1:6	B	2 OF 2

SALES NUMBER: 900002-F