

**Installation Instructions**

009718-01-10 – Low PIM Cable Support Bracket, Small

009718-02-10 – Low PIM Cable Support Bracket, Large

**STEP 1**

Attach threaded rods to bracket (Torque greater than 10 Ft-lb)

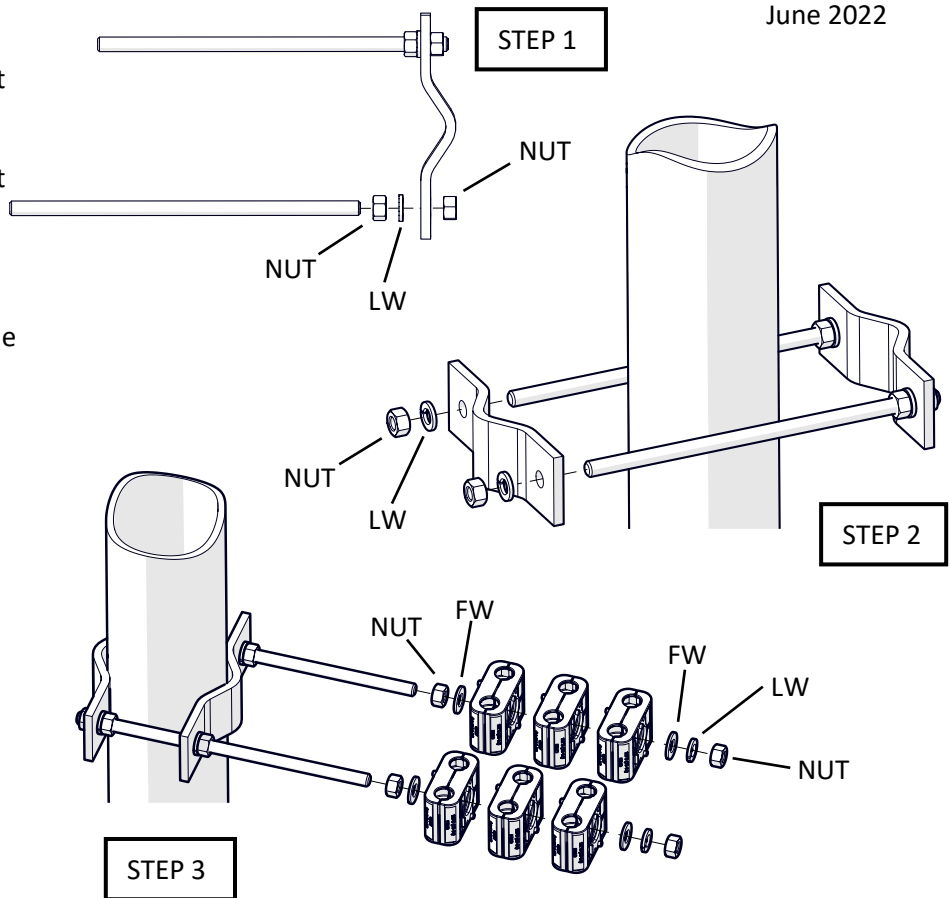
**STEP 2**

Attach clamp set to pole

**STEP 3**

Attach Cable Support Blocks (sold separately) to threaded rods.

Torque: 10 Ft-lb all connections  
(ConcealFab Tool PN: 900053)



**Installation Instructions**

009718-01-10 – Low PIM Cable Support Bracket, Small

009718-02-10 – Low PIM Cable Support Bracket, Large

**STEP 1**

Attach threaded rods to bracket (Torque greater than 10 Ft-lb)

**STEP 2**

Attach clamp set to pole

**STEP 3**

Attach Cable Support Blocks (sold separately) to threaded rods.

Torque: 10 Ft-lb all connections  
(ConcealFab Tool PN: 900053)

