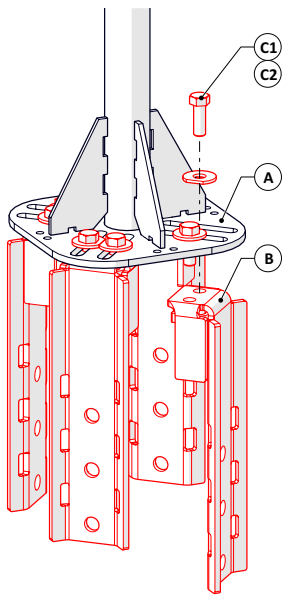


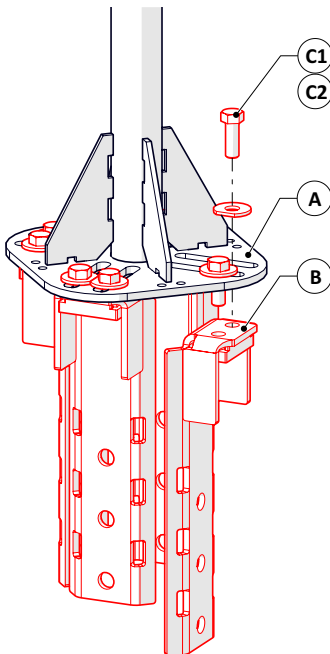
ITEM	QTY	DESCRIPTION	PART NO.	PKG'D
A	1	EXTENSION MAST	105468	
B	4	LEG, POLE TOP	117158	
C	1	KIT, CARBON LEG FASTENING	114193	
C1	8	HHBT, 5/8"-11 X 1 3/4" LG, PT, A325, GALV	002906	
C2	8	PLATE, WASHER, 5/8", A36, GALV	119694	
D	1	CORROSION RESISTANT ANTISEIZE, NICKEL, VIBRA-TITE, 90722	002954	

**Note:** Stainless steel hardware to have antiseize lubricant applied.

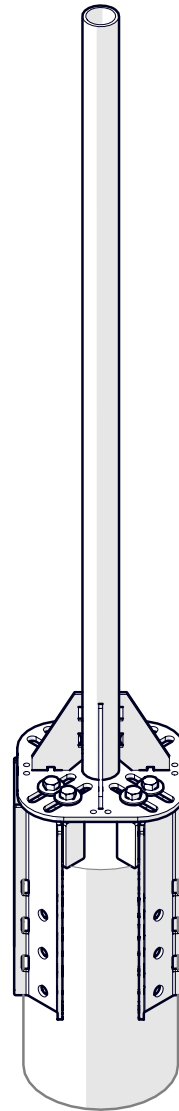
**7-1/4" to 14-1/8" Pole**



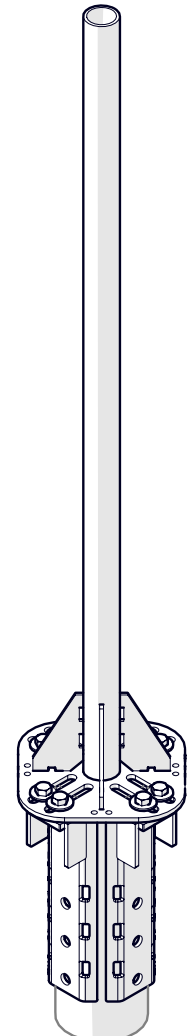
**5-3/8" to 7-1/4" Pole**



**Note:** Loosely attach hardware.



**7-1/4" to 14-1/8" Pole**



**5-3/8" to 7-1/4" Pole**

**Note:** Attach with 3X 3/4" Lag/Tie Bolts or 3X 1" Wide Band Straps (supplied by others). Tighten hardware.