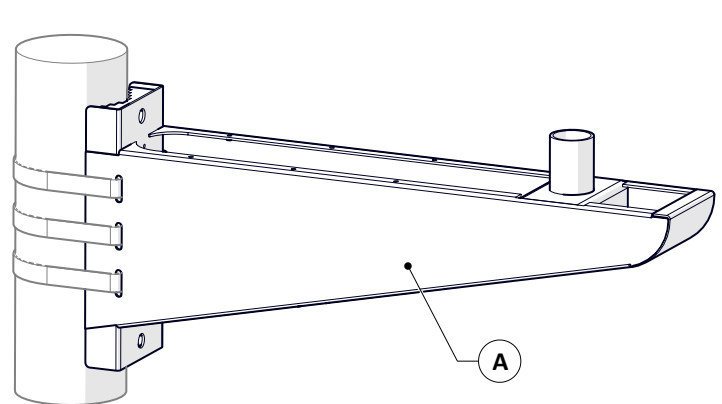
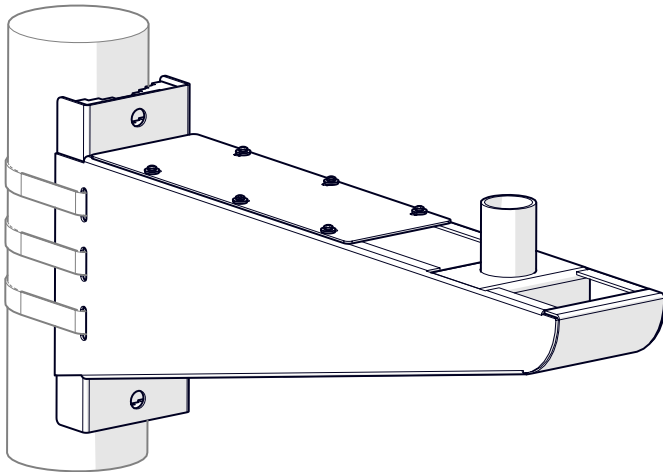


ITEM	QTY	DESCRIPTION	PART NO.	PKG'D
<b>A</b>	<b>1</b>	<b>SIDE ARM</b>	<b>102762</b>	
<b>B</b>	<b>1</b>	<b>SIDEARM COVER</b>	<b>102759</b>	
<b>C</b>	<b>1</b>	<b>COVER</b>	<b>102766</b>	
<b>D</b>	<b>1</b>	<b>KIT, STANDARD SIDE ARM HARDWARE</b>	<b>115210</b>	
D1	6	PHMS, #10-32 X 3/4" LG, FT, PH, 18-8 SS	000221	
D2	2	NUT, NYLOCK, #10-32, 18-8 SS	004102	
D3	6	WASHER, SPLIT LOCK, #10, 18-8 SS	003143	
D4	8	WASHER, SEALING, 1/4", 18-8 SS, 5/8" OD	006206	
<b>E</b>	<b>1</b>	<b>CORROSION RESISTANT ANTISEIZE, NICKEL, VIBRA-TITE, 90722</b>	<b>002954</b>	

**Note:** Stainless steel hardware to have antiseize lubricant applied before assembly.



**Note:** Attach with 3X 1" Wide Band Straps or 2X Ø7/8" Lag/Tie Bolts (supplied by others).

