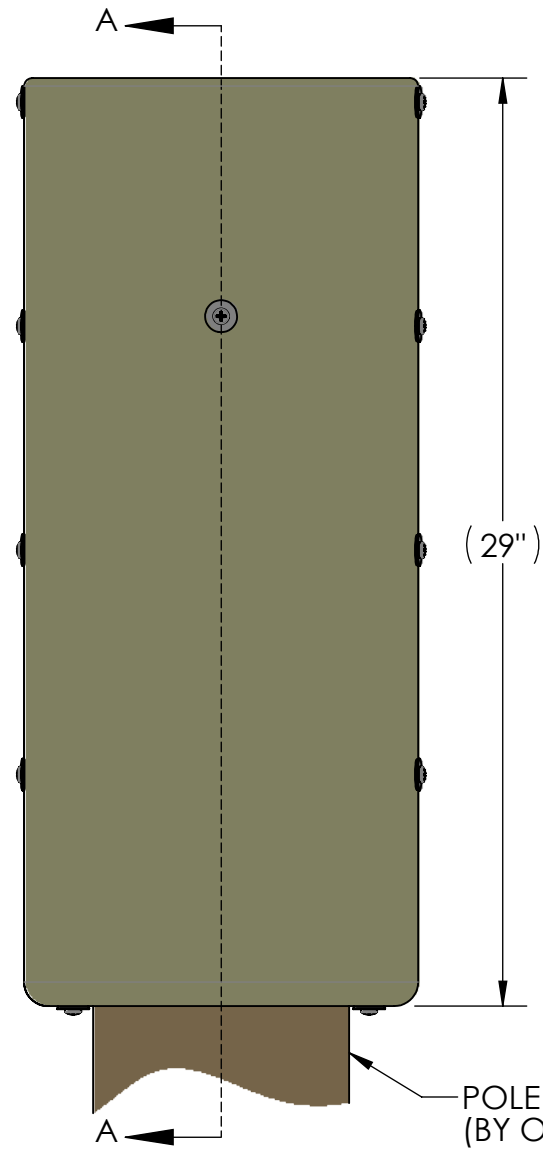
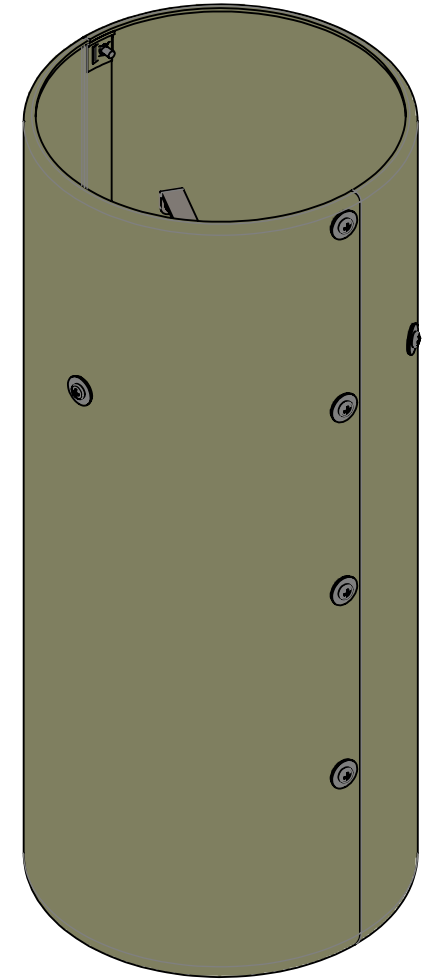
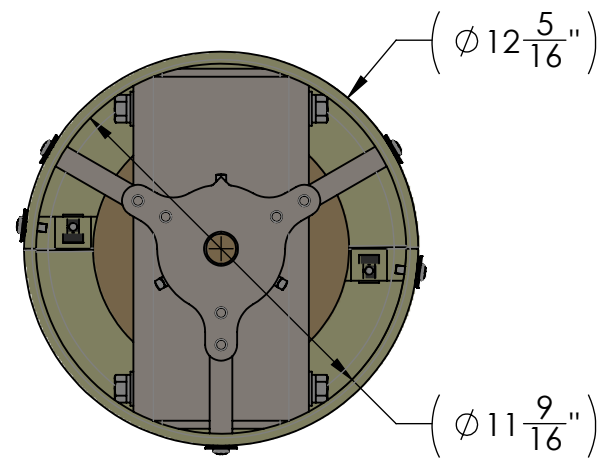
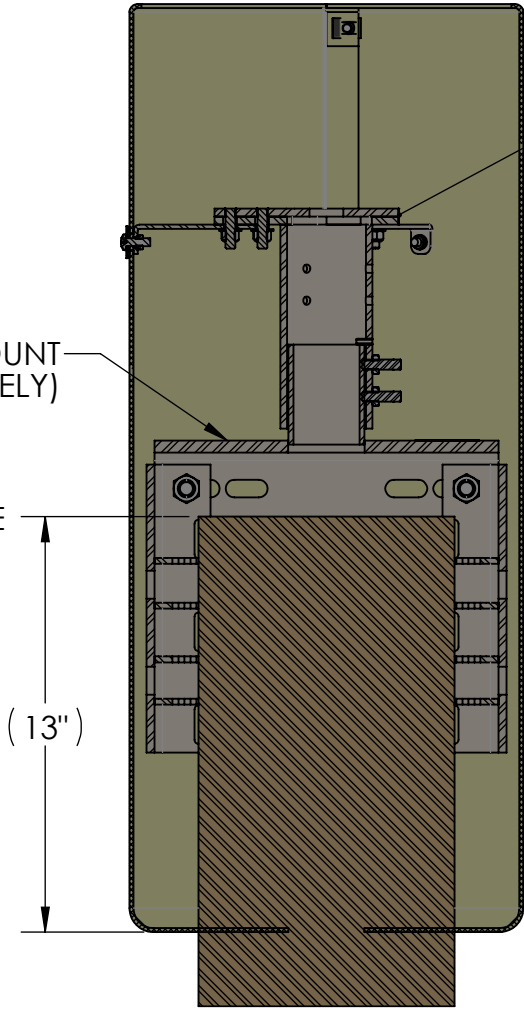


**MECHANICAL OUTLINE**



STANDARD DIAMETER MOUNT  
(SOLD SEPARATELY)



CANTENNA SLEEVE  
(SOLD SEPARATELY)

SECTION A-A

PART NUMBER	COLOR
007950-1	BLACK
007950-2	BROWN
007950-3	GRAY
007950-4	SILVER

**ConcealFab**  
Corporation

10205 FEDERAL DRIVE  
COLORADO SPRINGS, CO 80908  
PH: 719-599-3400 FX: 719-599-0057  
SALES@CONCEALFAB.COM

**PROPRIETARY INFORMATION**  
USE, REPRODUCTION, OR DISCLOSURE  
IS SUBJECT TO RESTRICTIONS SET FORTH  
IN NON-DISCLOSURE AGREEMENTS AND  
PERTINENT CONTRACTUAL DOCUMENTS.  
© 2017 ConcealFab Corp - All Rights Reserved

**DO NOT SCALE DWG**

DIMENSIONS ARE IN INCHES

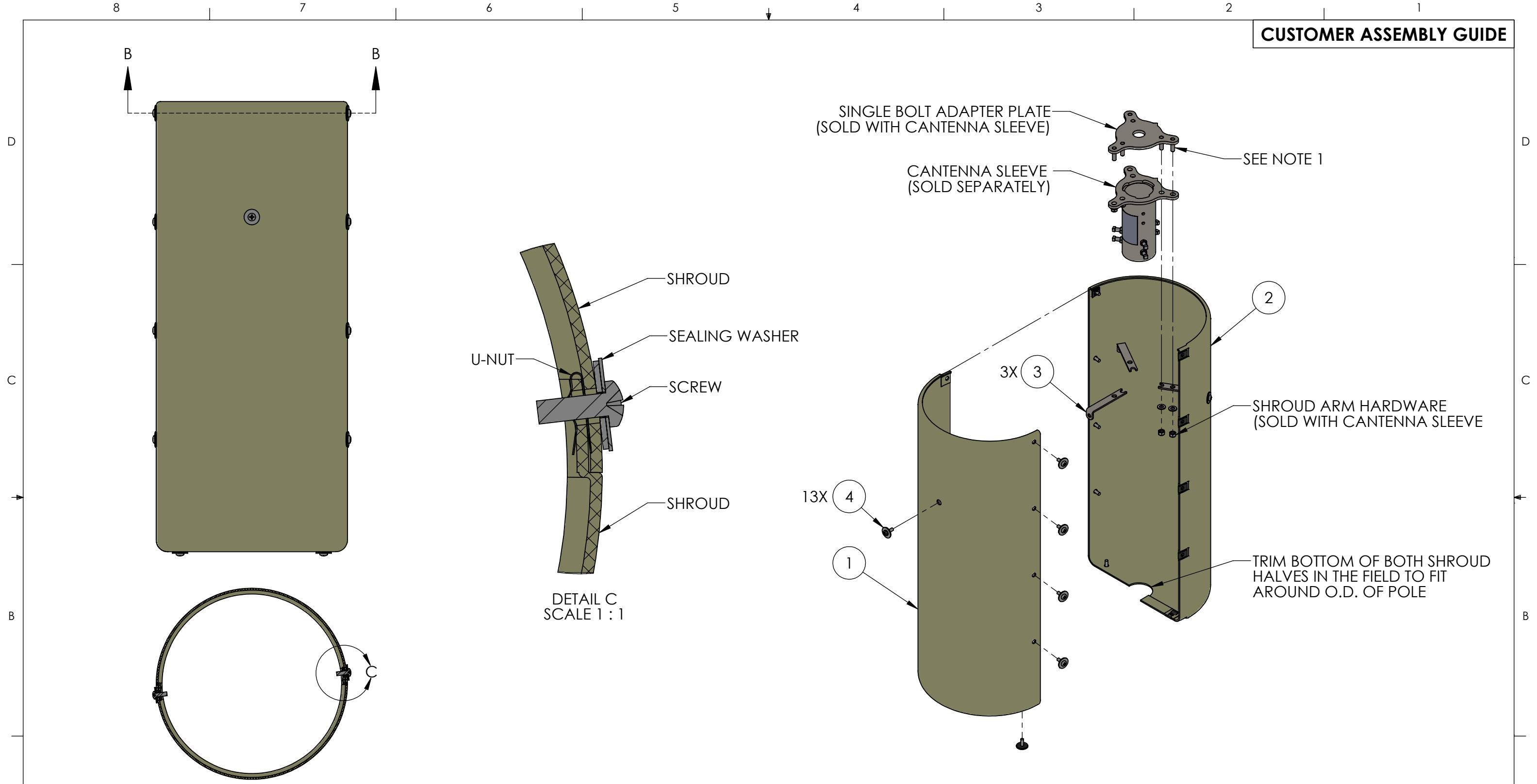
MODELED BY:	ALB	DATE:	08/22/19
DRAWN BY:	ALB	DATE:	08/22/19
CHECKED BY:	JAM	DATE:	09/03/19

TITLE: CABLE SHROUD,  
STANDARD DIAMETER  
MOUNT, COMMSCOPE  
12", HD

SCALE:	SHEET SIZE:	SHEET:
1:6	B	1 OF 2

SALES NUMBER:  
**007950-F**

APPROXIMATE WEIGHT	6.79 LBS
--------------------	----------



NOTES:  
 1. STAINLESS STEEL HARDWARE TO HAVE ANTISEIZE LUBRICANT APPLIED BEFORE ASSEMBLY.

ITEM NO.	QTY.	DESCRIPTION
1	1	ASSY, SHROUD HALF, SINGLE HOLE
2	1	ASSY, SHROUD HALF, DOUBLE HOLE
3	3	PEM ASSY, SHROUD ARM
4	13	ASSY, WASHER, SEALING, 1/4", 18-8 SS, 1" O.D., PHMS, 1/4"-20 X 3/4" LG, 18-8 SS

**ConcealFab**  
 Corporation  
 10205 FEDERAL DRIVE  
 COLORADO SPRINGS, CO 80908  
 PH: 719-599-3400 FX: 719-599-0057  
 SALES@CONCEALFAB.COM

**PROPRIETARY INFORMATION**  
 USE, REPRODUCTION, OR DISCLOSURE IS SUBJECT TO RESTRICTIONS SET FORTH IN NON-DISCLOSURE AGREEMENTS AND PERTINENT CONTRACTUAL DOCUMENTS.  
 © 2017 ConcealFab Corp - All Rights Reserved

**DO NOT SCALE DWG**

DIMENSIONS ARE IN INCHES

MODELED BY:	ALB	DATE:	08/22/19
DRAWN BY:	ALB	DATE:	08/22/19
CHECKED BY:	JAM	DATE:	09/03/19

TITLE: CABLE SHROUD, STANDARD DIAMETER MOUNT, COMMSCOPE 12", HD

SCALE:	SHEET SIZE:	SHEET:
1:6	B	2 OF 2

SALES NUMBER:  
**007950-F**