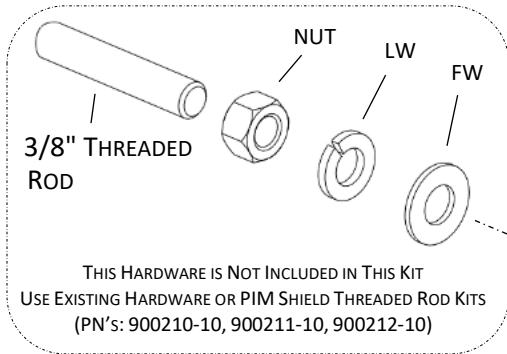


# INSTALLATION INSTRUCTIONS

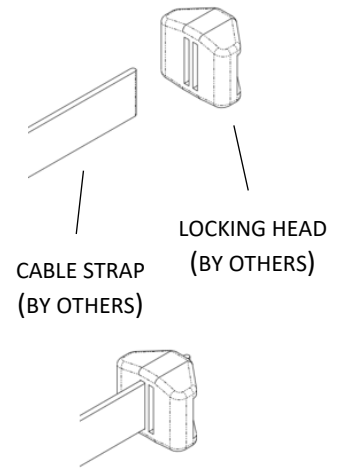
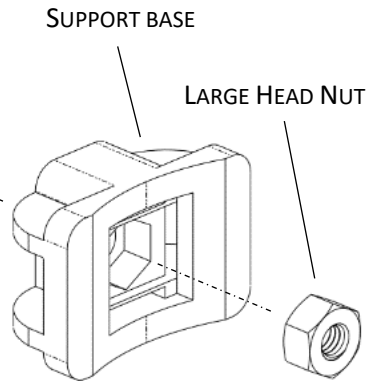
900209-10: PIM SHIELD CABLE SUPPORT BASE WITH LARGE HEAD NUT (SOLD IN PACKAGES OF 10)

## STEP 1

ATTACH THREADED ROD TO PIM SHIELD CABLE SUPPORT BASE (TORQUE GREATER THAN 10 FT-LB)



STEP 1



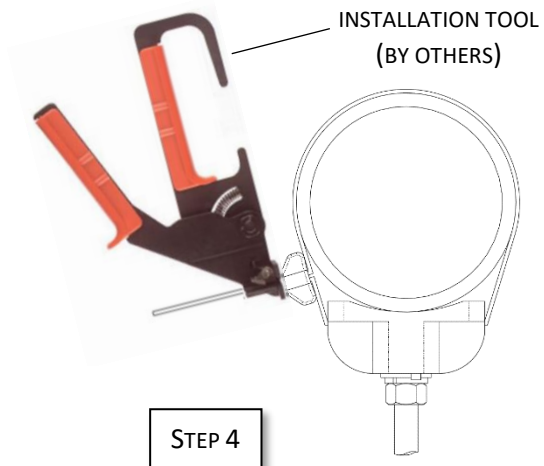
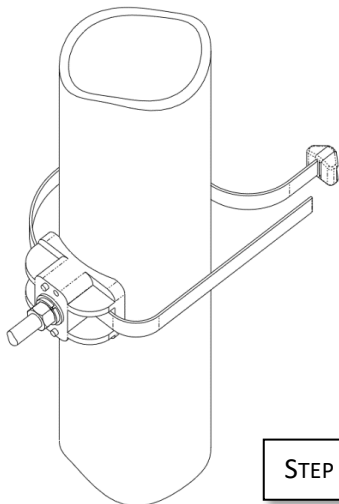
STEP 2

## STEP 2

CUT CABLE STRAP (BY OTHERS – THOMAS&BETTS PN: 696-41794, OR EQUIVALENT) TO APPROXIMATE LENGTH. ATTACH LOCKING HEAD (BY OTHERS – THOMAS&BETTS PN: 696-41795, OR EQUIVALENT) TO CABLE STRAP.

## STEP 3

PASS CABLE STRAP THROUGH LOW PIM CABLE SUPPORT BASE, AROUND PIPE, AND BACK THROUGH LOCKING HEAD.



## STEP 4

USE CABLE STRAP INSTALLATION TOOL (BY OTHERS – THOMAS&BETTS PN: WT3D, OR EQUIVALENT) TO TIGHTEN CABLE STRAP IN POSITION SHOWN AND FLUSH-CUT TAIL TO LOCKING HEAD.