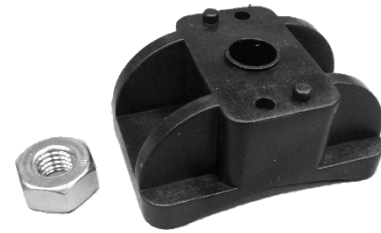


Product Specification



Part number: 900209-10

Description: PIM Shield cable support base with large head nut, Qty. 10



General	The PIM Shield cable support base with large head nut is designed to be used with a PIM Shield threaded rod kit (or with an existing 3/8" stainless-steel threaded rod kit at the cell site) to provide a low passive intermodulation mounting system to secure RF cables in high risk PIM zones
Mounting	To achieve specified PIM performance, attach the PIM Shield cable support base to existing steel members at the site using Thomas & Betts Deltec® straps and locking heads. Torque hardware to 10 FT-LB (ConcealFab tool 900053)
Snap-in hangers	Use PIM Shield threaded rod kit 900210-10 to secure cable hanger brackets to the tower. Replace metal snap-in hangers with plastic snap-in hangers to achieve low PIM
Cable support block hangers	Use PIM Shield threaded rod kit 900211-10 (6") or 900212-10 (8") to provide a 3/8" threaded support rod for plastic cable support blocks
System PIM performance	IM3 <-100 dBm when tested in accordance with proposed IEC 62037-8, near field test, 2x 20W test tones, while subjected to dynamic stimulus
Material	Plastic base: UV stable, glass filled Nylon Large head nut: 18-8 Stainless Steel
Plastic Base Color	Black
Operating temperature	-40°C to +70°C
Shipping dimensions	10-inch x 6-inch x 2-inch
Shipping weight	1.0 lb.
Qty per package	10



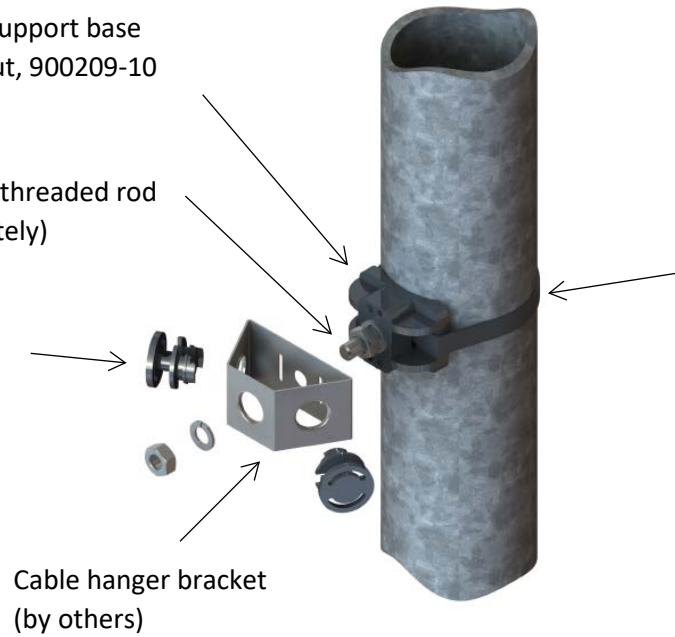
Product Specification



PIM Shield cable support base with large head nut, 900209-10

900210-10 (2") threaded rod kit (sold separately)

Plastic snap-ins (by others)



Deltec® strap and locking head (by others)

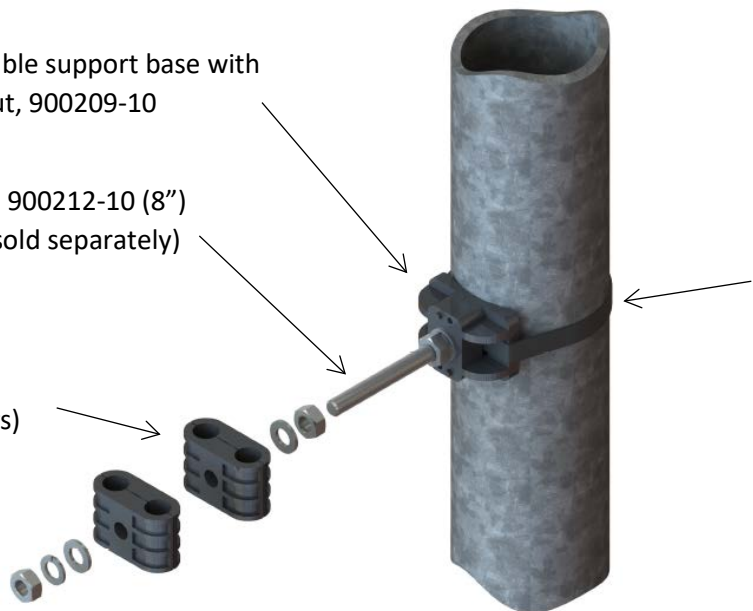
Cable hanger bracket (by others)

Installation with Snap-in hangers

PIM Shield cable support base with large head nut, 900209-10

900211-10 (6") or 900212-10 (8") threaded rod kit (sold separately)

Plastic support blocks (by others)



Deltec® strap and locking head (by others)

Installation with cable support block hangers

